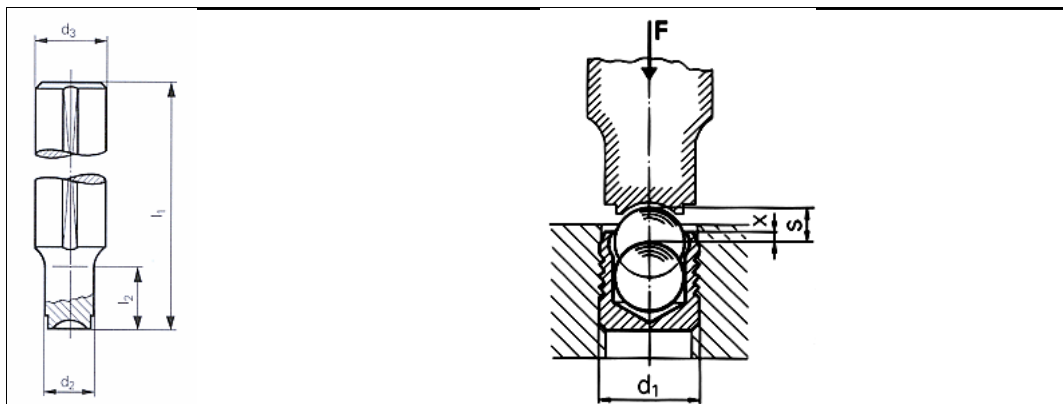


# Data sheet - MB 030

## KOENIG-EXPANDER® Narzędzia



3D-Data available	
Description	Setting Tool series MB
Order description	MB 030
d1	3.0 mm
d3-h9	10 mm
l1	100 mm
d2	2.8 mm
l2	10 mm
x ±0,2	0.4 mm
Material	Tool steel, heat-treated

uniform resource locator: